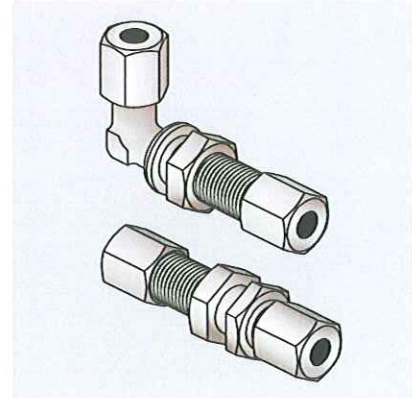
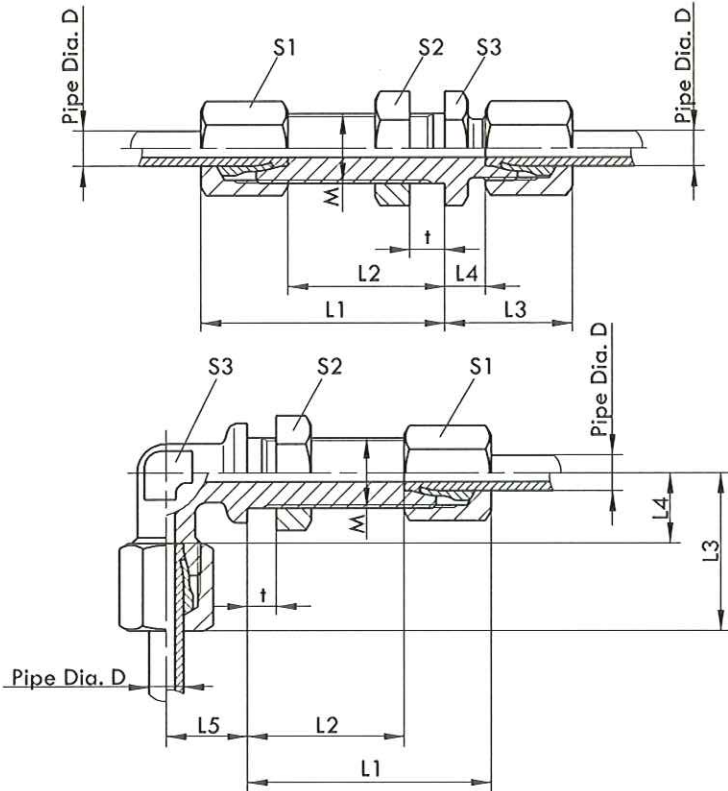


Bulkhead Couplings with Cap Screw and Cutting Olive



Straight Bulkhead Couplings

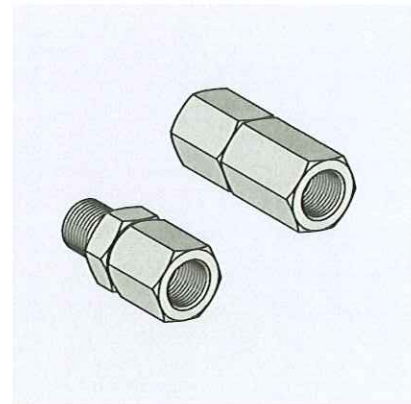
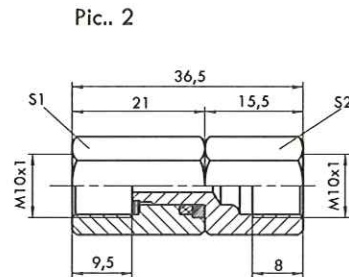
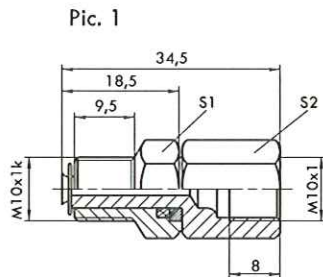
Part-No.	Pipe Dia. D	M	t max.	Approx. L1	L2	Approx. L3	L4	S1	S2	S3	Material
0401 4701 006	6L	M12x1,5	16	42	27	22	7	14	17	17	Steel
0401 4701 013	6L	M12x1,5	16	42	27	22	7	14	17	17	1.4571
0401 4701 106	8L	M14x1,5	16	42	27	23	8	17	19	19	Steel
0401 4701 113	8L	M14x1,5	16	42	27	23	8	17	19	19	1.4571

Angular Bulkhead Coupling

Part-No.	Pipe Dia. D	M	t max.	Approx. L1	L2	L3 max.	L4	L5	S1	S2	S3	Material
0401 4721 006	6L	M12x1,5	16	42	27	27	12	14	14	17	12	Steel
0401 4721 013	6L	M12x1,5	16	42	27	27	12	14	14	17	12	1.4571
0401 4722 006	6S	M14x1,5	16	44	29	31	16	17	17	19	12	Steel
0401 4721 106	8L	M14x1,5	16	42	27	29	14	17	17	19	12	Steel

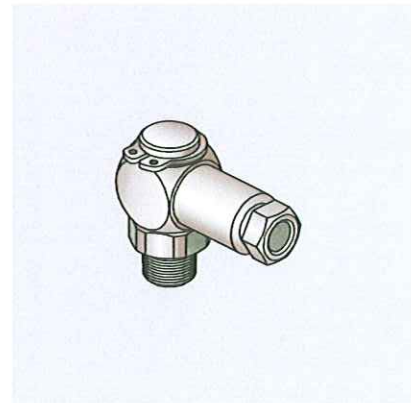
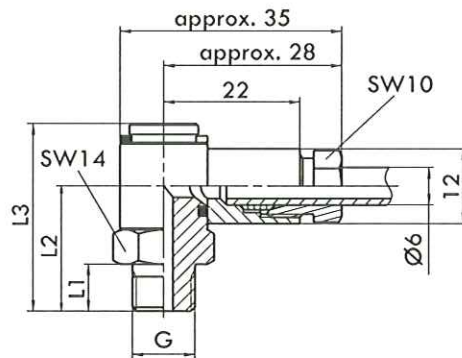
All Parts made of steel are zinc coated and yellow chromated.

Straight Rotary Couplings



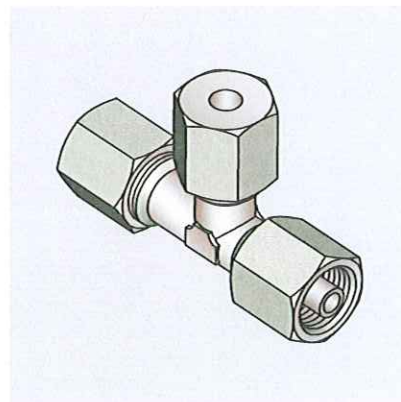
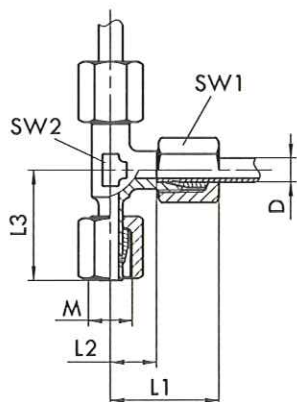
Part-No.	Pic.	S1	S2	Material
0402 020	1	14	14	Brass
0402 042	2	14	14	Brass

Hinges



Part-No.	G	L1	L2	L3	Material
0402 011	M6k	7,5	20	30	Brass
0402 012	M8x1	7,5	20	30	Brass
0402 013	M10x1	7,5	20	30	Brass
0402 023	R1/8" k	7,5	20	30	Brass
0402 043	R1/4" k	9	21,5	31,5	Brass
0402 041	1/8-27 NPT	7,5	20	30	Brass

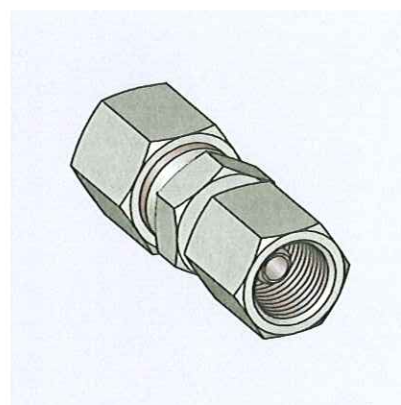
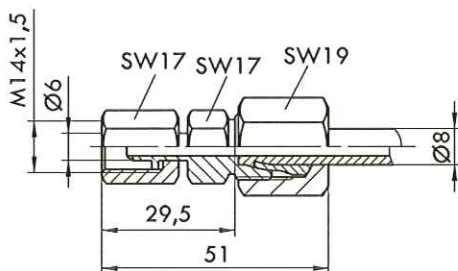
Adjustable L-Couplings



Part-No.	Construction Sort	D	M	Approx. L1	L2	L3	SW1	SW2	Material
04015821006	L	6	M12x1,5	27	12	26	14	12	Steel
04015821106	L	8	M14x1,5	29	14	27,5	17	12	Steel
04015822006	S	6	M14x1,5	31	16	27	17	12	Steel
04015822106	S	8	M16x1,5	32	17	27,5	19	14	Steel

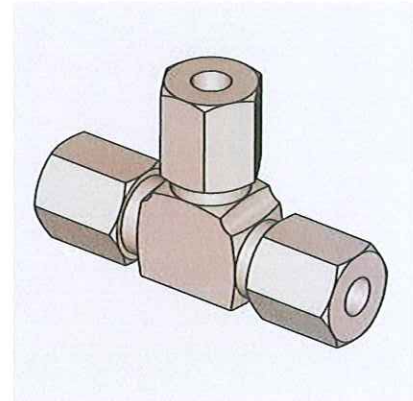
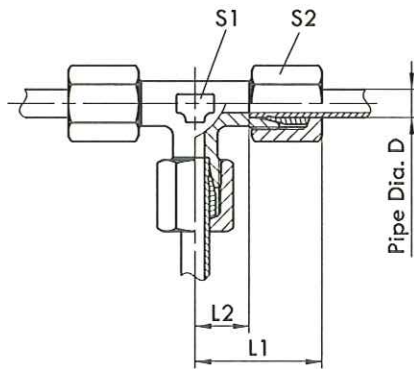
All Parts made of steel are zinc coated and yellow chromated.

Reduction Screw



Part-No.	Material
04060957	Steel, zinc coated, yellow chromate

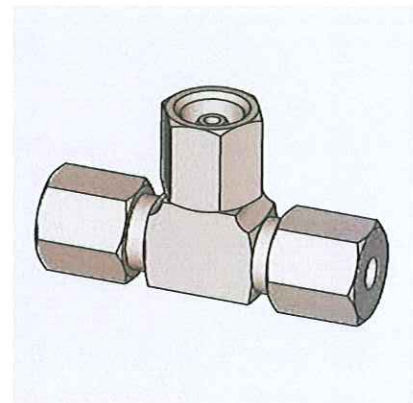
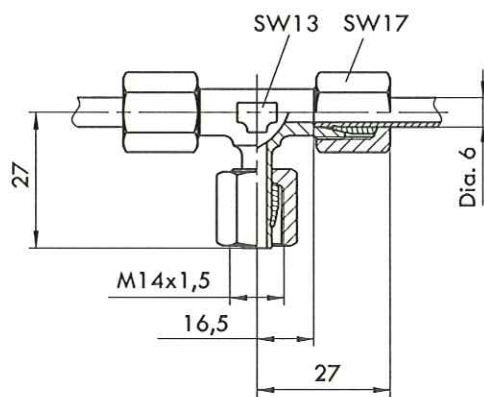
T - Couplings



Part-No.	Approx. L1	L2	S1	S2	Pipe Dia. D	Material
0401 3641 006	27	12	12	14	6L	Steel
0401 3640 306	21	9,5	11	12	6LL	Steel
0401 3642 006	31	16	14	17	6S	Steel
0401 3641 106	29	14	14	17	8L	Steel
0401 3640 406	23	11,5	12	14	8LL	Steel

All Parts made of steel are zinc coated and yellow chromated.

Adjustable T-Couplings



Part-No.	Construction Sort	Material
04015722006	S	Steel, zinc coated, yellow chromate