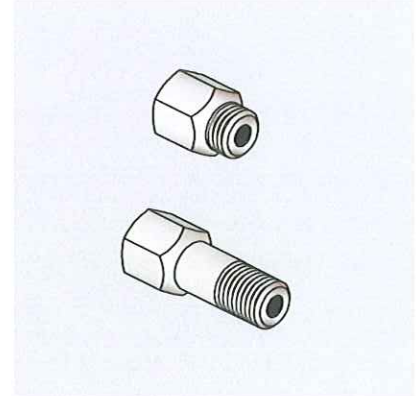
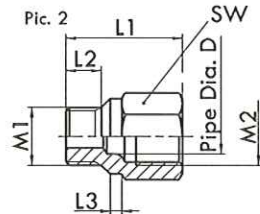
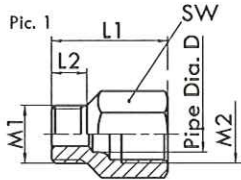
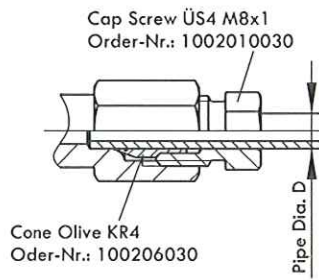
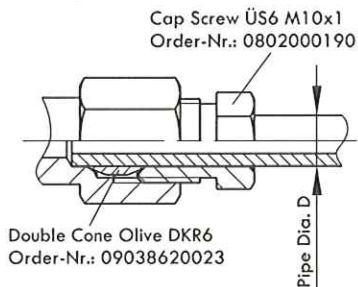


## Extension Piece



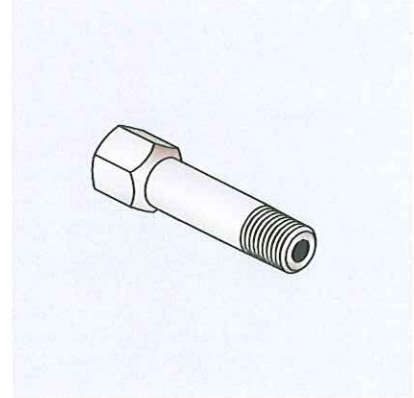
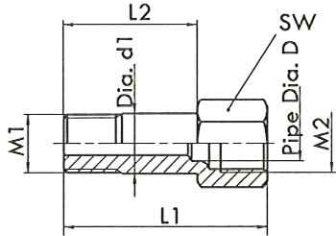
It is also possible to connect the lubrication pipes with a extension piece direct.



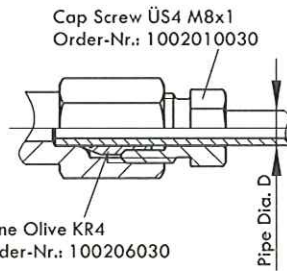
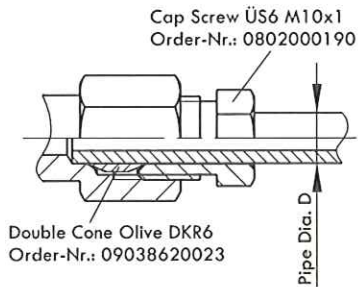
Part-No.	M1	M2	L1	L2	L3	SW	Pipe Dia. D	Material	Pic.
0401 1600 206	M10x1k	M10x1	21	6	--	13	6	Steel	1
0401 1600 106	M8x1k	M10x1	21	6	--	13	6	Steel	1
0401 1600 506	M6k	M10x1	24	6	--	13	6	Steel	1
0401 1600 406	M8k	M10x1	21	6	--	13	6	Steel	1
0401 1610 106	M12x1k	M10x1	21	8,5	--	13	6	Steel	1
0401 1600 906	M10k	M10x1	21	6	--	13	6	Steel	1
0401 1610 006	M10x1k	M10x1	26	6	--	13	6	Steel	1
1002 1000 301k	M6k	M8x1	20	6	--	11	4	Steel	1
1002 1000 304k	M8x1k	M8x1	17	7,4	--	11	4	Steel	1
1002 1000 306k	M10x1k	M8x1	16	7,4	--	11	4	Steel	1
0401 1610 306	M10x1k	M10x1	17,5	6	--	13	6	Steel	1
0401 1600 213	M10x1k	M10x1	21	6	--	13	6	1.4305	1
0401 1601 406	UNF 1/4"-28	M10x1	24	6	2	13	6	Steel	2
0401 1601 306	UNEF 1/4"-32	M10x1	24	6	4	13	6	Steel	2
0401 1600 306	R1/8"k	M10x1	21	6	2	13	6	Steel	2
0401 1600 313	R1/8"k	M10x1	21	6	2	13	6	1.4305	2

All Parts made of steel are zinc coated and yellow chromated.

## Extension Piece



It is also possible to connect the lubrication pipes to extension piece direct.

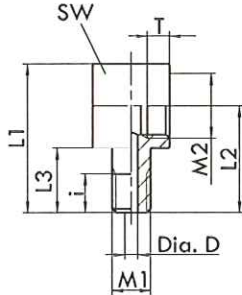


Part-No.	M1	M2	L1	L2	SW	Pipe Dia. D	Dia. d1	Material
0401 1600 706	M10x1k	M10x1	35	23	13	6	10,3	Steel
0401 1600 606	M10x1k	M10x1	50	38	13	6	10,3	Steel
0401 1601 206	R1/4"K	M10x1	26	14	14	6	13,2	Steel
0401 1601 006	R1/4"K	M10x1	35	23	14	6	13,2	Steel
0401 1601 106	R1/4"K	M10x1	55	43	14	6	13,2	Steel
0401 1601 213	R1/4"K	M10x1	26	14	14	6	13,2	1.4305
0401 1601 013	R1/4"K	M10x1	35	23	14	6	13,2	1.4305
0401 1601 113	R1/4"K	M10x1	55	43	14	6	13,2	1.4305
0401 1611 506	R1/8"K	M10x1	50	38	13	6	9,9	Steel
0401 1600 806	M8x1k	M8x1	35	23	10	4	8,3	Steel

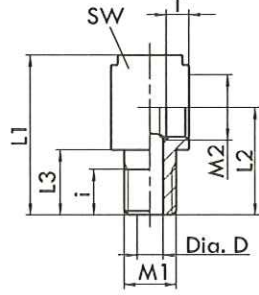
All Parts made of steel are zinc coated and yellow chromated.

## Elbow Connector 90°

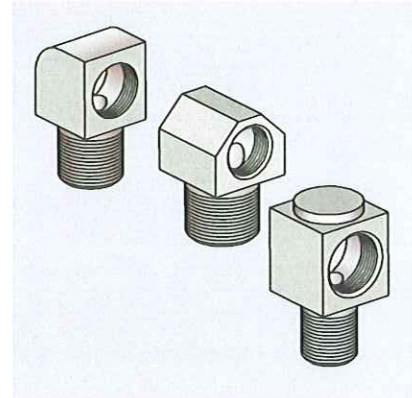
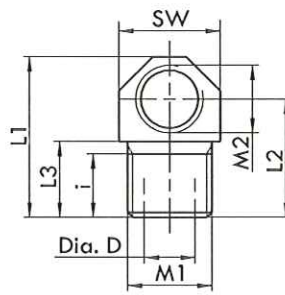
Pic. 1:



Pic. 2:



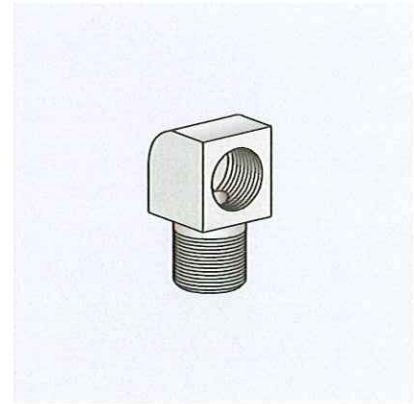
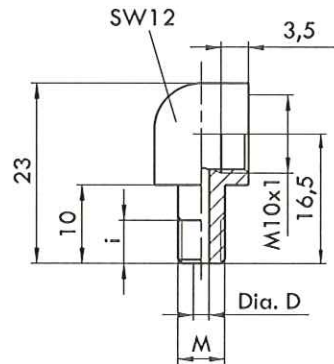
Pic. 3:



Part-No.	M1	i	M2	T	Dia. D	L1	L2	L3	SW	Material	Pic.
1002 10 010	M6k	6	M10x1	3,5	2	23	16,5	10	12	Steel	1
1002 10 020	M8x1k	7	M10x1	3,5	4	23	16,5	10	12	Steel	1
1002 10 025	M8x1,25k	7	M10x1	3,5	4	23	16,5	10	12	Steel	1
1002 10 030	M10x1k	7	M10x1	3,5	5	23	16,5	10	12	Steel	1
1002 10 032	1/4"-28UNF	6	M10x1	3,5	2	23	16,5	10	12	Steel	1
1002 10 105	R1/8"k	10	M10x1	3,5	5	26	19	12	12	Steel	1
1002 10 035	R1/4"k	10	M10x1	3,5	7	26	19	12	14	Steel	1
1002 10 041	M10x1k	7	M10x1	3,5	5	25	18,5	10	12	1.4305	1
1002 10 042	M10x1k	7	M10x1	3,5	5	65	58,5	10	12	1.4305	1
1002 10 043	M10x1k	7	M10x1	3,5	5	75	68,5	10	12	1.4305	1
1002 10 106	M8x1k 1:10	7	M10x1	3,5	4	24,5	16,5	10	12	Steel	2
1002 10 120	M10x1k	7,5	M8x1	4,5	6	19	14	9	12	Steel	3

All Parts made of steel are zinc coated and yellow chromated.

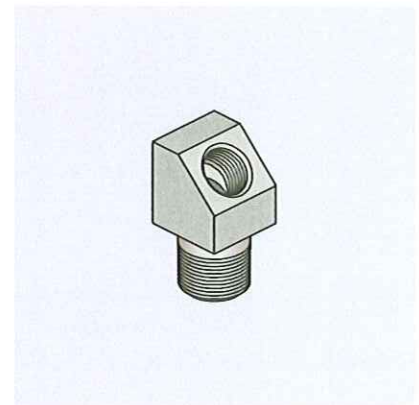
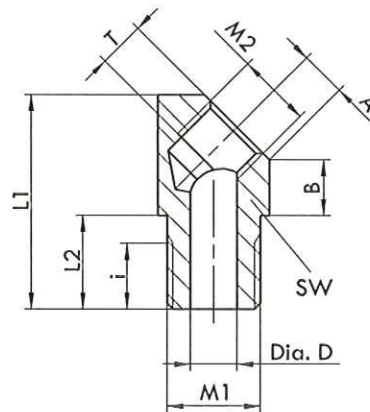
### Elbow Connector 90°



Part-No.	M	i	Dia. D	Material
1002 10 073	M6k	6	2	Steel
1002 10 072	M8x1k	7	4	Steel
1002 10 071	M8x1,25k	7	4	Steel
1002 10 070	M10x1k	7	5	Steel

All Parts made of steel are zinc coated and yellow chromated.

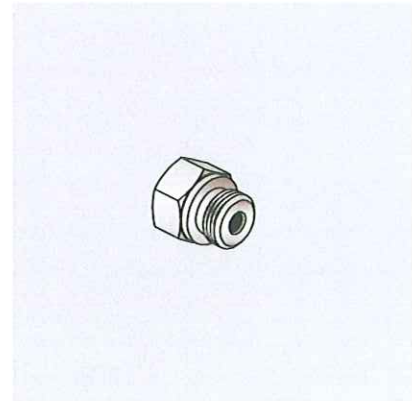
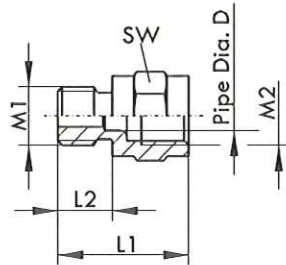
### Elbow Connector 45°



Part-No.	M1	i	Dia. D	M2	T	L1	L2	A	B	SW	Material
1002 10 095	M6k	6	2	M8x1	5	23	10	4,95	6	12	Steel
1002 10 085	M8x1k	7	4	M8x1	5	23	10	4,95	6	12	Steel
1002 10 090	M8x1,25k	7	4	M8x1	5	23	10	4,95	6	12	Steel
1002 10 080	M10x1k	7	5	M8x1	5	23	10	4,95	6	12	Steel
1002 10 098	1/4"-28UNF	6	2	M8x1	5	23	10	4,95	6	12	Steel
0401950007-00	R1/4"k	14,5	7	R1/4k	7	32,5	14,5	7,1	8	18	Steel

All Parts made of steel are zinc coated and yellow chromated.

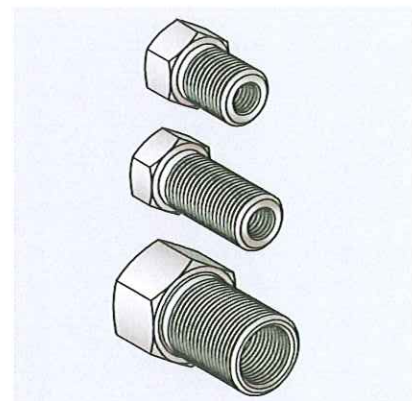
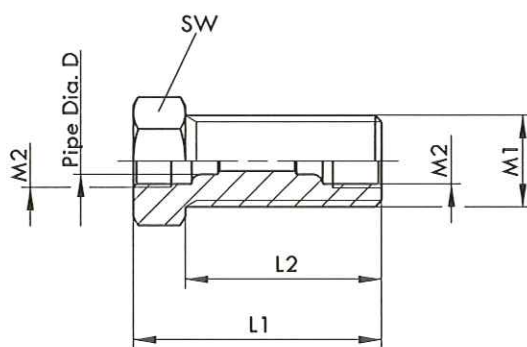
**Connection Parts, straight**



Part-No.	M1	M2	L1	L2	SW	Pipe Dia. D	Material
1002 1000 301	M6	M8x1	20	6,5	11	4	Steel
1002 1000 304	M8x1	M8x1	18	7,5	11	4	Steel
1002 1000 306	M10x1	M8x1	18	7,5	14	4	Steel
1002 1000 404	M8x1	M10x1	23	7,5	14	6	Steel
1002 1000 406	M10x1	M10x1	20,5	7,5	14	6	Steel
1002 1000 410	G1/4"	M10x1	21,5	10	17	6	Steel

All Parts made of steel are zinc coated and yellow chromated.

**Straight Bulkhead Coupling with Inside Threading**



Part-No.	M1	M2	L1	L2	SW	Pipe Dia. D	Material
1002 5000 311	M14x1,5	M8x1	27	19	17	4	Steel
1002 5000 311L	M14x1,5	M8x1	38	30	17	4	Steel
1002 5000 411	M14x1,5	M10x1	30	20	17	6	Steel
1002 5000 715	M20x1,5	M16x1,5	42	27	24	10	Steel

All Parts made of steel are zinc coated and yellow chromated.