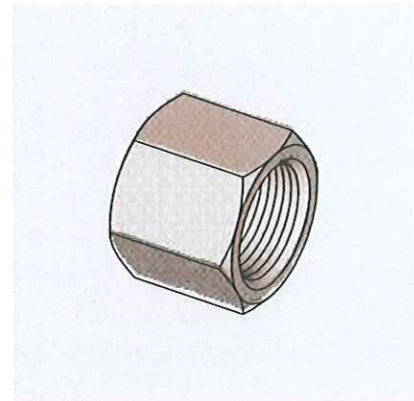
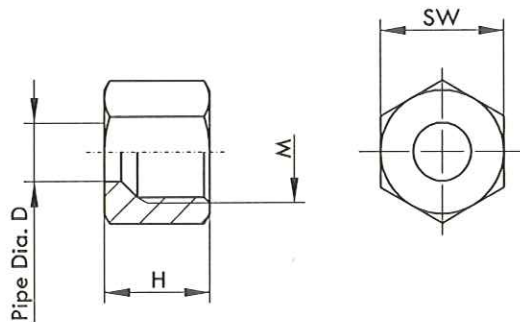


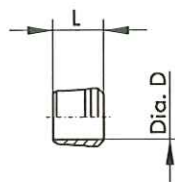
## Cap Nuts



Part-No.	Construction sort	Pipe Dia. D	M	H	SW	Material
0403 15001 06	LL	4	M8x1	11	10	Steel
0403 15003 06	LL	6	M10x1	11,5	12	Steel
0403 15004 06	LL	8	M12x1	12	14	Steel
0403 15010 06	L	6	M12x1,5	14,5	14	Steel
0403 15010 13	L	6	M12x1,5	14,5	14	1.4571
0403 15011 06	L	8	M14x1,5	14,5	17	Steel
0403 15011 13	L	8	M14x1,5	14,5	17	1.4571
0403 15020 06	S	6	M14x1,5	16,5	17	Steel
0403 15021 06	S	8	M16x1,5	16,5	19	Steel

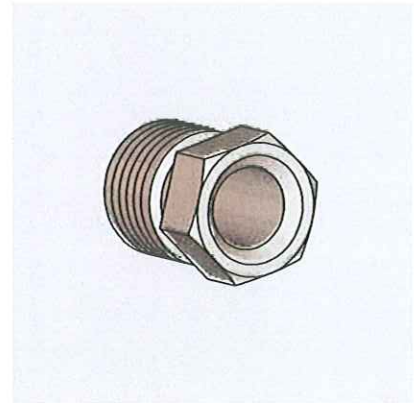
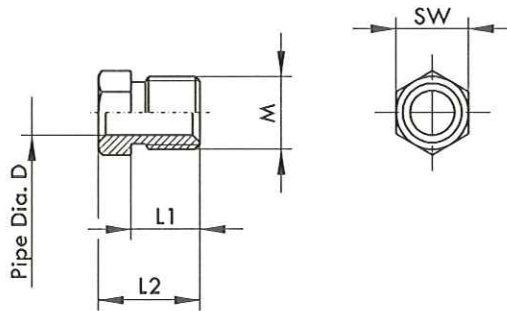
All Parts made of Steel are Zinc coated and yellow chromated.

## Cutting Olive



Part-No.	for Pipe Dia D	Construction Sort	L	Material
0403 15201 05	4	LL	6	Steel Zinc coated
0403 15203 05	6	LL	7	Steel Zinc coated
0403 15204 05	8	LL	7	Steel Zinc coated
0403 15210 05	6	L / S	9,5	Steel Zinc coated
0403 15210 13	6	L / S	9,5	1.4571
0403 15211 05	8	L / S	9,5	Steel Zinc coated
0403 15211 13	8	L / S	9,5	1.4571

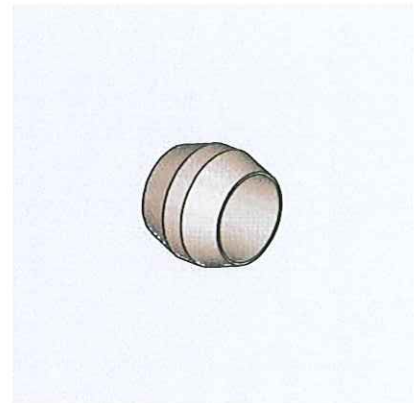
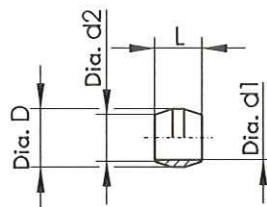
## Cap Screw



Part-No.	Pipe Dia. D	M	L1	L2	SW	Material
F0060/19-08	6	M10x1	9,5	14	10	High-grade Steel
0802 000 190	6	M10x1	9,5	14	10	Steel
0802 000 311	4	M10x1	8,5	12	10	Steel
0802 000 312	4	M10x1	8,5	12	10	High-grade Steel

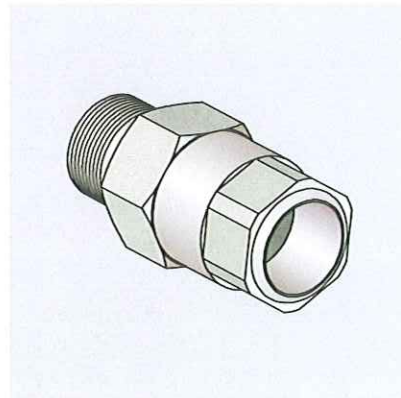
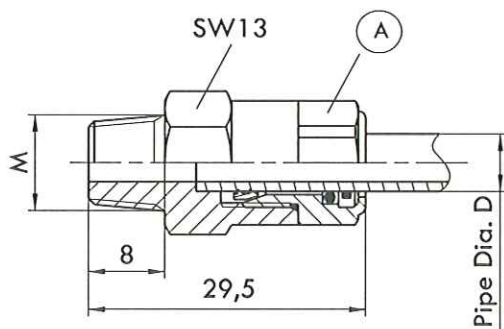
All Parts made of Steel are Zinc coated and yellow chromated.

## Double Cone Olive



Part-No.	for Pipe Dia.	Dia. D	L	Dia. d1	Dia. d2	Material
09 03862 0011	4	6	5,5	4	4,3	Steel
09 03862 0013	4	6	5,5	4	4,3	Brass
09 03862 0015	4	6	5,5	4	4,3	High-grade Steel
09 03862 0021	6	8	6,5	6	6,4	Steel
09 03862 0023	6	8	6,5	6	6,4	Brass
09 03862 0026	6	8	6,5	6	6,4	High-grade Steel
09 03862 0031	8	10	6,5	8	8,5	Steel
09 03862 0033	8	10	6,5	8	8,5	High-grade Steel

## Straight Plug-in Couplings



(A)

Plug-in connection  
for Pipe Dia. 4  
SW 12  
Order-No.: 0406 0851

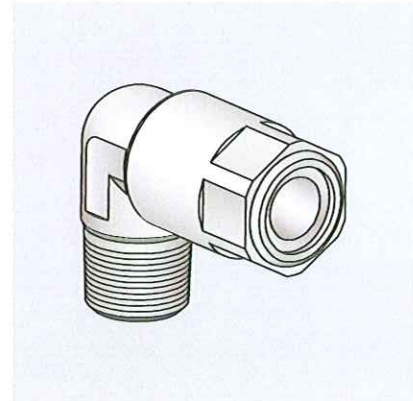
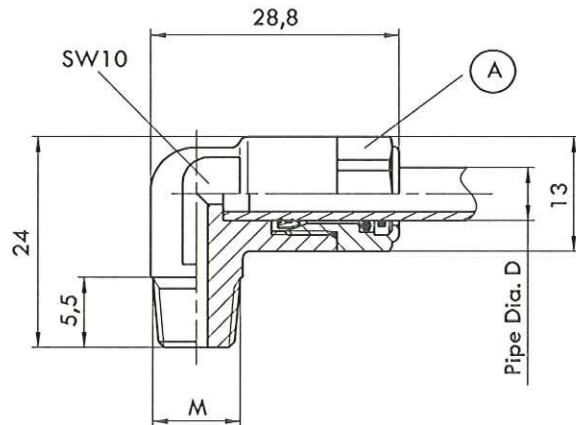
(A)

Plug-in connection  
for Pipe Dia. 6  
SW 12  
Order-No.: 0406 0850

Part-No.	M	Pipe Dia. D	Material
0406 0874	M6k	4	Steel
0406 0873	M8x1k	4	Steel
0406 0872	M10x1k	4	Steel
0406 0875	R1/8"k	4	Steel
0406 0878	M6k	6	Steel
0406 0877	M8x1k	6	Steel
0406 0876	M10x1k	6	Steel
0406 0879	R1/8"k	6	Steel

All Parts made of steel are zinc coated and yellow chromated.

## Angular Plug-in Couplings



(A)

Plug-in connection  
for Pipe Dia. 4  
SW 12  
Order-No.: 0406 0851

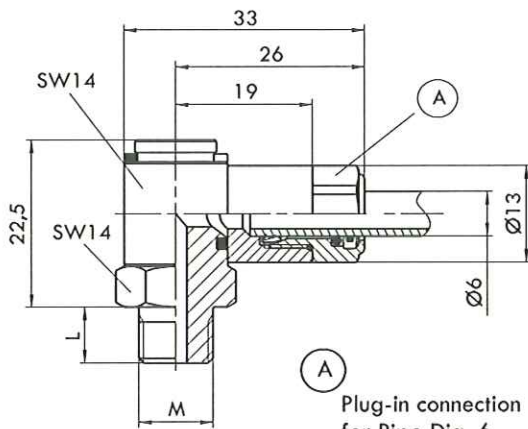
(A)

Plug-in connection  
for Pipe Dia. 6  
SW 12  
Order-No.: 0406 0850

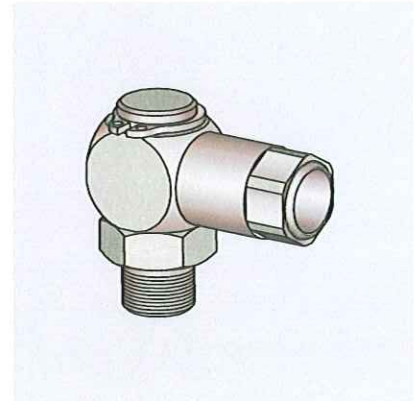
Part-No.	M	Pipe Dia. D	Material
0406 0866	M6k	4	Steel
0406 0865	M8x1k	4	Steel
0406 0864	M10x1k	4	Steel
0406 0867	R1/8"k	4	Steel
0406 0870	M6k	6	Steel
0406 0869	M8x1k	6	Steel
0406 0868	M10x1k	6	Steel
0406 0871	R1/8"k	6	Steel

All Parts made of steel are zinc coated and yellow chromated.

**Hinge with plug-in connection**

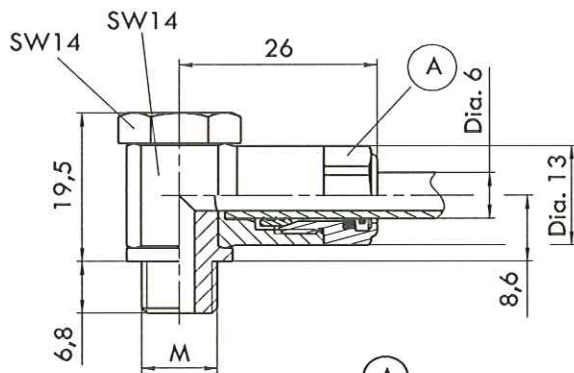


**A**  
 Plug-in connection  
 for Pipe Dia. 6  
 SW 12  
 Order-No.: 0406 0850

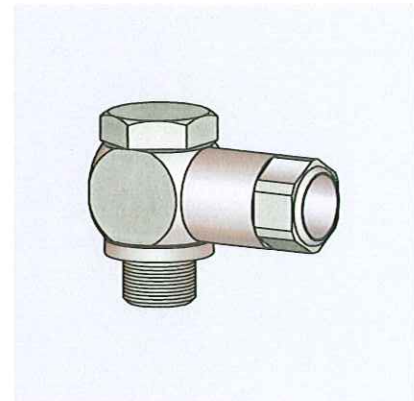


Part-No.	M	L	Material
0402 036	M6k	7,5	Brass
0402 037	M8x1k	7,5	Brass
0402 038	M10x1k	7,5	Brass
0402 040	R1/8"k	7,5	Brass
0402 039	R1/4"k	9	Brass
0402 045	1/8-27 NPT	7,5	Brass

**Banjo Assembly with Plug-in Connection**



**A**  
 Plug-in Connection  
 for Pipe Dia. 6  
 SW 12  
 Order-No.: 0406 0850



Part-No.	M	Material
0401950029-00	G1/8"	Steel, zinc coated, yellow chromate
0401950029-01	M10x1	